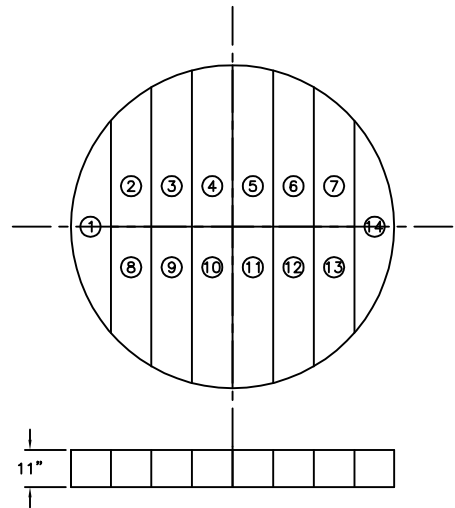
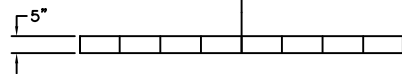
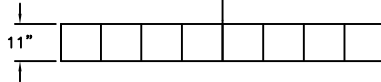



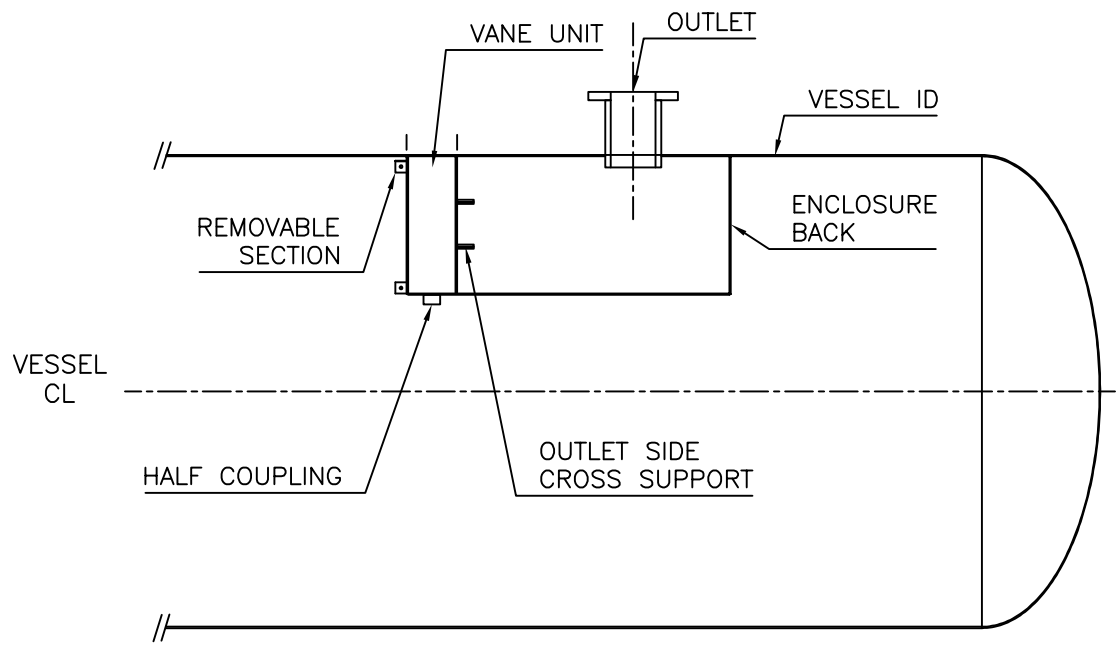
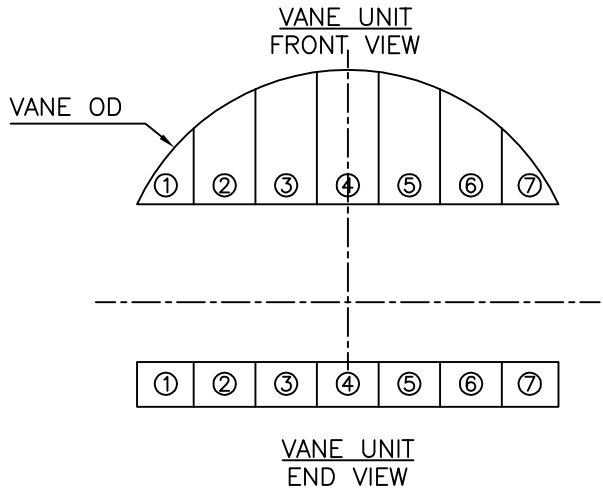
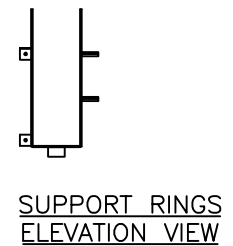
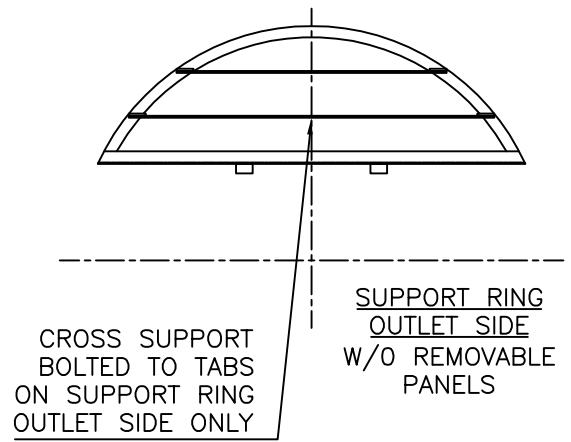
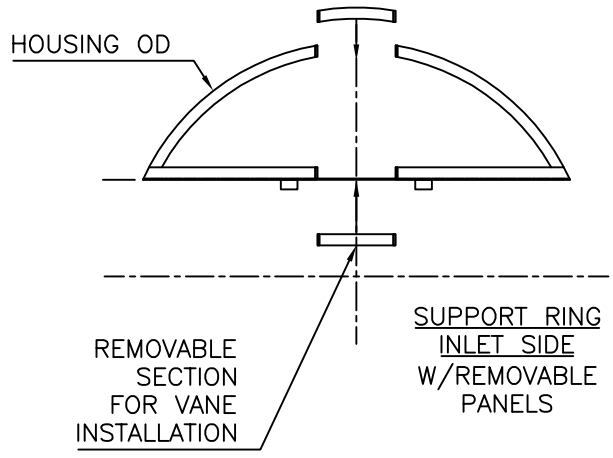
VIEW '3' TYPICAL  
COALESCER PACK  
TYP (1) EACH



VIEW '1' & '2' TYPICAL  
COALESCER PACK  
TYP (2) EACH



0 FOR REVIEW		JAD	08/08/13
NO.	REVISION	BY	DATE
DRAWN:		CKD:	SCALE:
			
PO Box 489		Hawkins, Tx 75765	903-769-3707
<p>TYPICAL WATER SKIMMER VESSEL INTERNALS LAYOUT &amp; ORIENTATION</p>			
FABCO JOB#	CUSTOMER PO#	DATE: 08-08-13	
DWG. COALESCER PACKS-HORZ VESSEL			SHEET: 1 of 1 REV. 0



\*\*\*NOTE\*\*\*  
For Reference only.